

It's Clear

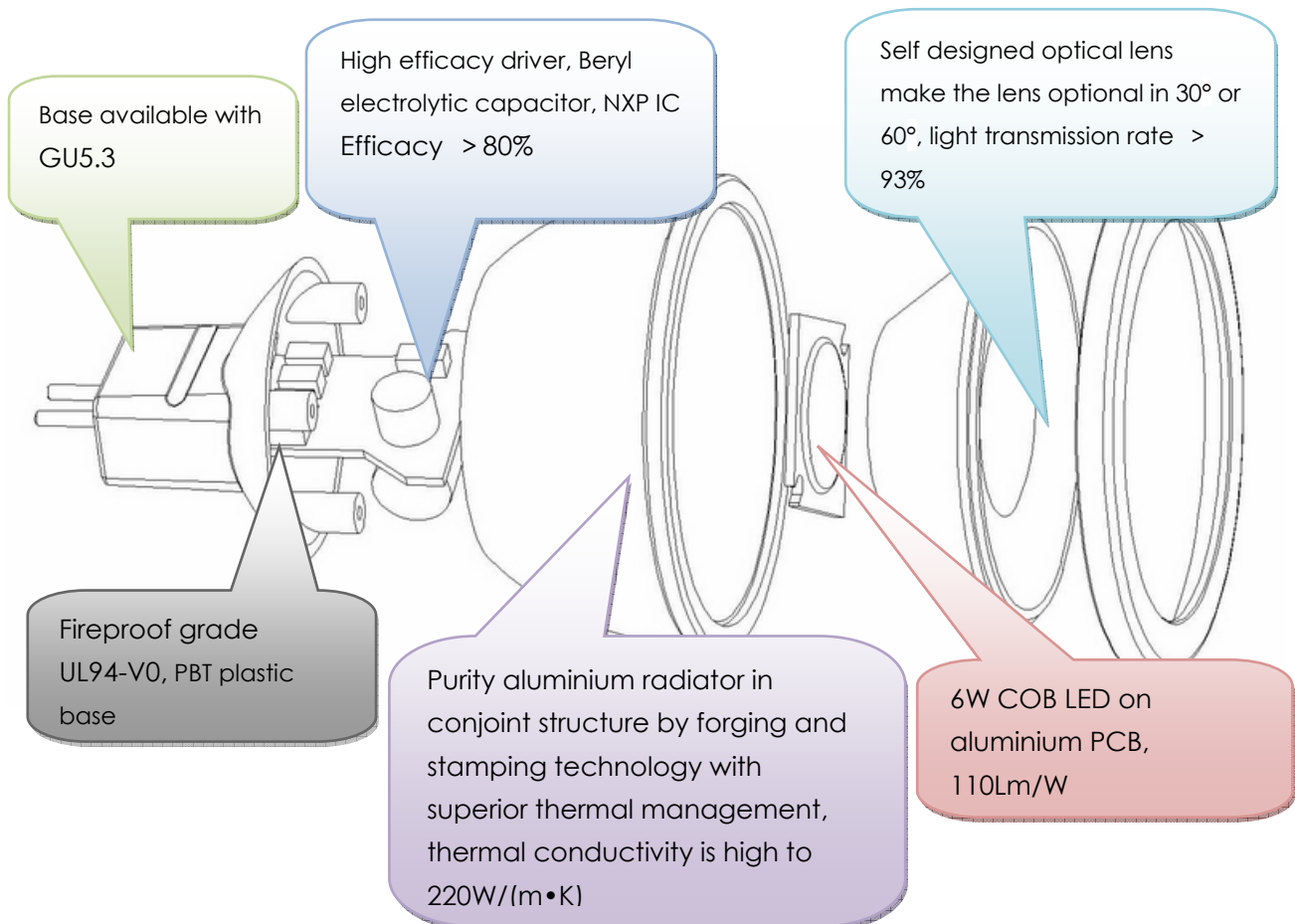
# COB 6W MR16 LED spotlight

Light output <b>450</b> LUMENS	Voltage <b>AC/DC 12</b> VOLTS	Energy used <b>6</b> WATTS	Life span <b>25,000</b> HRS	Guarantee <b>2</b> YEARS	Equivalent <b>50</b> WATTS
--------------------------------------	-------------------------------------	----------------------------------	-----------------------------------	--------------------------------	----------------------------------

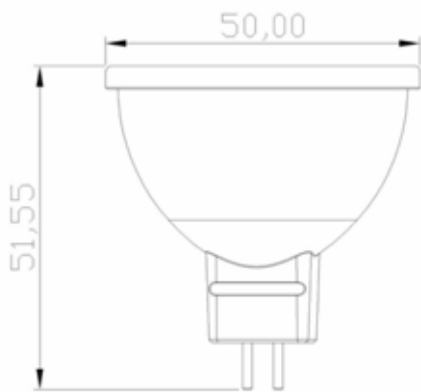


COB 6W LED spotlight is designed and manufactured to replace the 50W Halogen bulb, the superior COB LED solution and purity aluminium radiator material helps the luminous efficacy high to 83LM/W, it is designed in excellent thermal management in conjoint structure by forging and stamping technology.

- Excellent thermal management
- COB LED technology
- Superior high quality bulb
- Environmental friendly
- Reduce electricity cost
- Energy saving perfect replacement for Incandescent/halogen and CFL



## -Dimension and heat sink-----



- Private Purity aluminium heat sink
- Excellent heat management by conjoined structure
- Anodic oxidation or Sand blasting heat sink exterior
- Thermal conductivity is 220W/M.K
- The temperature difference between the LED joint and housing surface is within 4-10Deg.

## Temperature parameter

Heat sink temperature	69.6
LED joint temperature	79.2
Working temperature	-20-40
Storage temperature	-20-60

## -Product list-----

Part No	Power	CCT	Lumens	Base	Voltage	Dimension
FT-LM1606WW60AS	6W	2800-3200K	450Lm	GU5.3	AC/DC12V	Φ50*51mm
FT-LM1606CW60AS		5800-6200K	500Lm			

## -Specification-----

Electrical and optical parameter		Packing dimension	
Power dissipation	6W	Interior box dimension	55×55×80mm
Luminous flux	450Lm / 500Lm ± 5%	Exterior CTN dimension	290×290×175mm
Color temperature	2800-3200K/5800-6200K	QTY per CTN	50pcs
Luminous Efficacy	75Lm/W	N.W./CTN	4KG
Lighting source	1pcs COB LED	G.W./CTN	6KG
AC input voltage	AC/DC12V		
CRI	> 80		
Power factor	-		
Driver efficacy	80%		
Beam angle	30 ° / 60 °		
Weight	65g		
Certificate	CE, RoHS, PSE, FCC, SGS		

## -Package-----

## -Caution-----

- The working voltage for this bulb is in globe wide voltage range from AC/DC 12V
- Prohibit any contact to the metal part of bulb base after connected to the power.
- Please check whether any bulbs damage caused by delivery or not before you unpacked and prepare to use the bulbs. If yes, please don't use it and inform the supplier.

## -Application-----

Widespread used in commercial lighting project, villa, restaurant, hotel, meeting room, table lamp, decoration lamp, garden lamp.